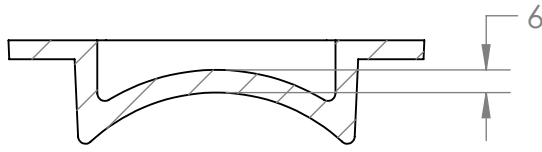
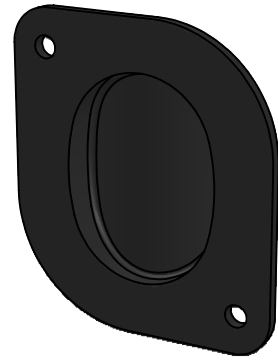


UNCONTROLLED COPY

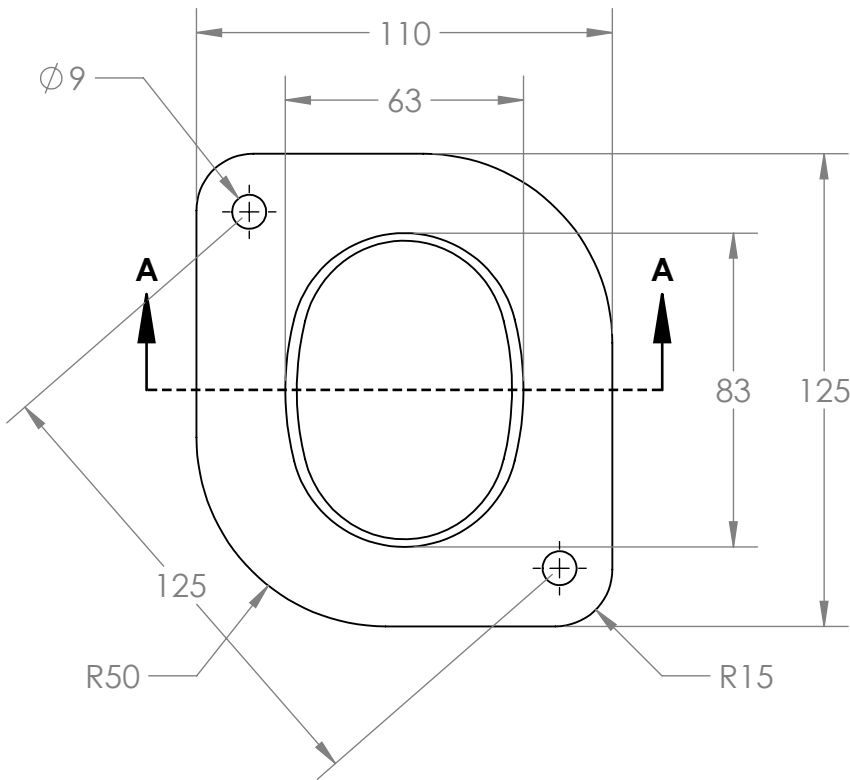


SECTION A-A



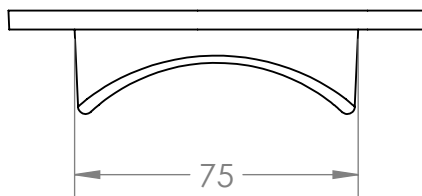
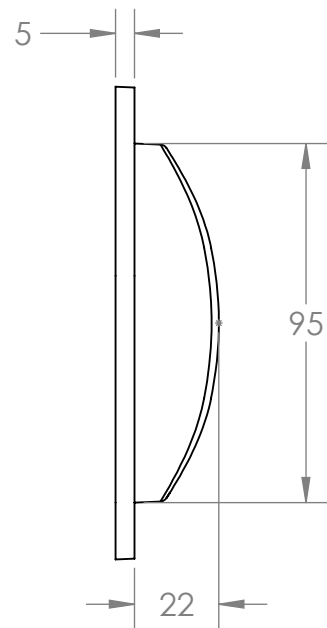
SCALE 2:5

VIEW FROM FRONT



VIEW FROM ABOVE

VIEW FROM SIDE



SCALE 2:5

Copyright and Design right

This confidential drawing is the sole property of Hargreaves Foundry Group Companies and must not be reproduced or distributed to any third party without written permission. It must only be used for the purpose for which it has been issued and may be withdrawn upon request. The validity of the drawing is only guaranteed at the time of issue and is subject to change without notice.

ALL DIMS IN mm

WATER LANE
SOUTH PARADE
HALIFAX
WEST YORKSHIRE
HX3 9HG

TEL: (44) 01422 330607
FAX: (44) 01422 320349
E-MAIL: info@hargreavesfoundry.co.uk



TITLE 100mm LCC Soil Loose Door		
MATERIAL BSEN 1561 Grade:EN-GJL-150		
SCALE 1:2 A4	DRAWN S Clarke	CHECKED S Clarke
DATE 05/06/25	REF No -	REV. 0
DWG No S4069		